



2010

Introducing VeraLED LED Landscape Lighting



3x1 Watt or 5 Watt-**RGB**



GU10

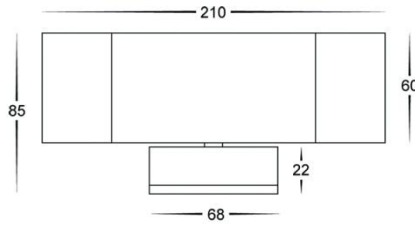


VeraLED, Inc.

835 W. Union Ave. Englewood, CO 80110

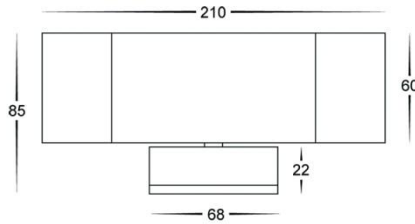
303.761.3056

www.veraled.com



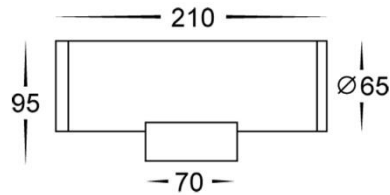
VeraPRO VP 1001 110v GU10

- Up/Down wall pillar light long body
- High output reflector to maximize light
- Stainless steel 316 marine grade – 4mm thick
- Includes stainless steel backing plate
- **Available with LED Lamp 1x3w / 3x3w GU10 or 5w GU10 RGB Globe**
- 110v GU10 2x50w max
- IP rating: IP67



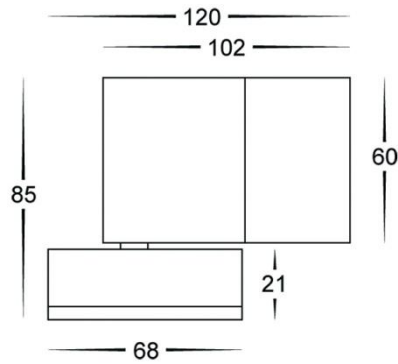
VeraPRO VP 1002 110vGU10

- Up/Down wall pillar light long body
- High output reflector to maximize light
- Solid copper body – 4mm thick
- Includes backing plate
- **Available with LED Lamp 1x3w / 3x3w GU10 or 5w GU10 RGB Globe**
- 110v GU10 2x50w max
- IP rating: IP67



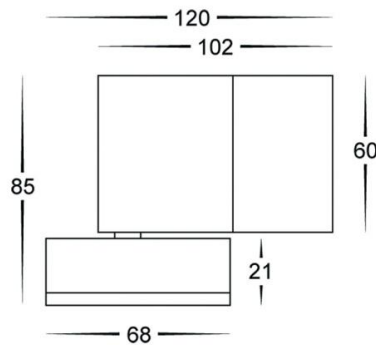
VeraLite VL 1021 110v GU10

- Up/Down wall pillar light long body
- Stainless Steel Body – 1mm thick
- Includes backing plate
- **Available with LED Lamp 1x3w / 3x3w GU10 or 5w GU10 RGB Globe**
- 110v GU10 2x50w max
- IP rating: IP54



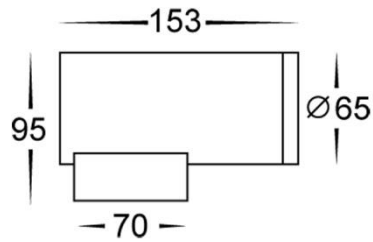
VeraPRO VP 1101 110v GU10

- Single fixed wall pillar light long body
- High output reflector to maximize light
- Stainless steel 316 marine grade – 4mm thick
- Includes stainless steel backing plate
- **Available with LED Lamp 1x3w / 3x3w GU10 or 5w GU10 RGB Globe**
- 110v GU10 50w max
- IP rating: IP67



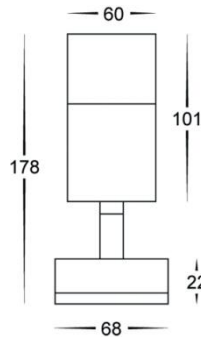
VeraPRO VP 1102 110v GU10

- Single fixed wall pillar light long body
- High output reflector to maximize light
- Solid Copper Body – 4mm thick
- Includes stainless steel backing plate
- **Available with LED Lamp 1x3w / 3x3w GU10 or 5w GU10 RGB Globe**
- 110v GU10 50w max
- IP rating: IP67



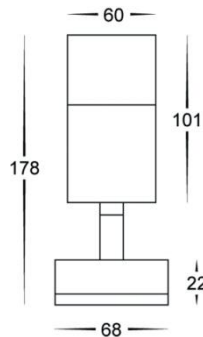
VeraLite VL 1121 110v GU10

- Single fixed wall pillar light long body
- Stainless Steel Body – 1mm thick
- Includes stainless steel backing plate
- **Available with LED Lamp 1x3w / 3x3w GU10 or 5w GU10 RGB Globe**
- 110v GU10 50w max
- IP rating: IP54



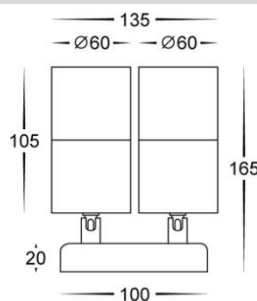
VeraPRO VP 1201 110v GU10

- Single adjustable wall pillar light
- High output reflector to maximize light
- Stainless Steel 316 Marine Grade – 4mm thick
- Includes backing plate
- **Available with LED Lamp 1x3w / 3x3w GU10 or 5w GU10 RGB Globe**
- 110v GU10 50w max
- IP rating: IP67



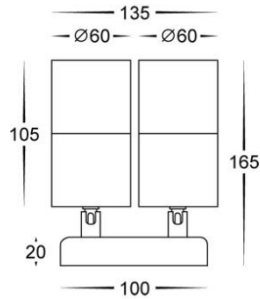
VeraPRO VP 1221 110v GU10

- Single adjustable wall pillar light
- High output reflector to maximize light
- Solid Copper Body – 4mm thick
- Includes backing plate
- **Available with LED Lamp 1x3w / 3x3w GU10 or 5w GU10 RGB Globe**
- 110v GU10 50w max
- IP rating: IP67



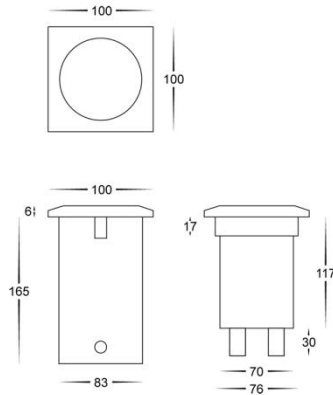
VeraPRO VP 1301 110v GU10

- Double adjustable wall pillar light
- High output reflector to maximize light
- Stainless Steel 316 Marine Grade – 4mm thick
- Includes backing plate
- **Available with LED Lamp 1x3w / 3x3w GU10 or 5w GU10 RGB Globe**
- 110v GU10 50w max
- IP rating: IP67



VeraPRO VP 1321 110v GU10

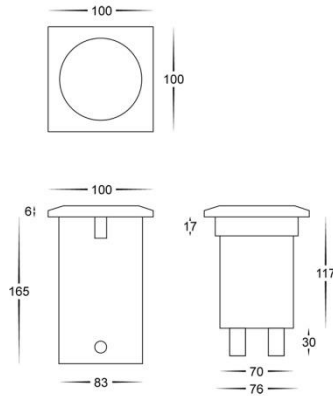
- Double adjustable wall pillar light
- High output reflector to maximize light
- Solid Copper Body – 4mm thick
- Includes backing plate
- **Available with LED Lamp 1x3w / 3x3w GU10 or 5w GU10 RGB Globe**
- 110v GU10 50w max
- IP rating: IP67



VeraPRO VP 1401 110v GU10

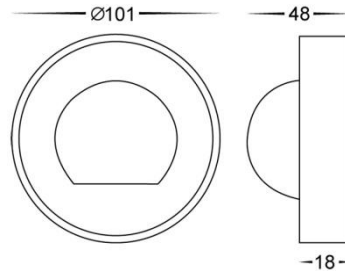
- In-ground up lighter square
- Stainless steel 316 marine grade cover
- Flush tempered glass
- Trafficable to 600kg
- **Available with LED Lamp 1x3w / 3x3w GU10 or 5w GU10 RGB Globe**
- GU10 50w max
- IP rating: IP67
- Cut out not using plastic canister: 85mm
- Cut out using plastic canister: 90mm
- Face diameter: 100mm





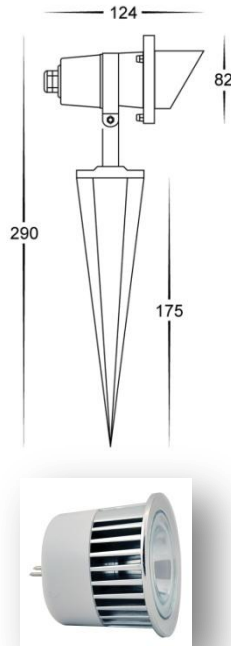
VeraPRO VP 1421 12v MR16

- In-ground up lighter square
- Stainless steel 316 marine grade cover
- Flush tempered glass
- Trafficable to 600kg
- **Supplied with 1 5W GU10 LED Lamp**
- GU10 50w max
- IP rating: IP67
- Cut out not using plastic canister: 85mm
- Cut out using plastic canister: 90mm
- Face diameter: 100mm



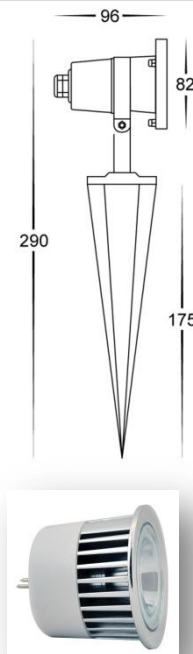
VeraPRO VP 1501 110V LED

- Surface mounted eyelid (Step Light)
- Full body stainless steel 316 marine grade
- High output reflector to maximize light
- Frosted tempered glass
- **Energy saving 110v 9 piece 1w LED with built in driver**
- Fitted with Phillips fasteners and supplied with additional Hex fasteners
- 110v LED
- IP rating: IP65



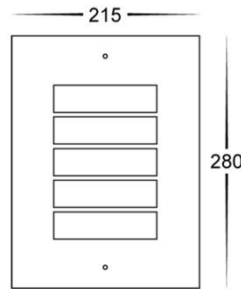
VeraPRO VP 1601 12V MR16

- Spike and Surface mounted spot with hood
- Stainless steel 316 marine grade
- 400mm reinforced cable
- **Supplied with 12v LED MR16 20w**
- 12v MR16 50w max
- IP rating: IP65
- This light can be used with an energy saving LED globe.



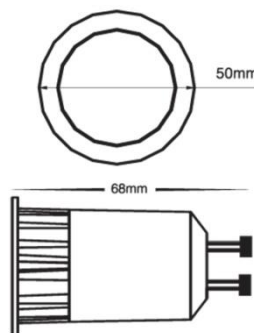
VeraPRO VP 1602 12V MR16

- Spike and Surface mounted spot light
- Stainless steel 316 marine grade
- 400mm reinforced cable
- **Supplied with 12v LED MR16 20w**
- 12v MR16 50w max
- IP rating: IP65
- This light can be used with an energy saving LED globe.



VeraPro VP 1701 110V E27

- Wall mask
- Five slots opal diffuser
- Stainless steel 316 marine grade
- E27 110v 40w max
- IP rating: IP44



VeraLED VLL 1801 12V GU10

- GU10 LED cool white
- **5w LED RGB**
- No UV or IR radiation
- <500mA 5watt LED
- Input voltage - 12vAC (9vAC-18vAC)
- 12vDC (12vDC-22vDC)
- Input freq - DC/AC(47-63Hz,20-40KHz)



VeraLED VLL 1901 12V GU10

- Energy saving GU10 12volt LED lamp
- **LED 3x1w or High Output 3x3w**
- 30,000hrs



VeraLED VLS 2001 12/24V DC

- LED flexible strip light **RGB**
- 30 LEDs per Meter
- SMD 5050 7.2w per meter
- Multi color function
- 3M Peel and stick backing
- Viewing angle 120 degrees
- IP Rating: IP67
- Must be used with a suitable LED Driver(VL9651 - VL9655)



VeraLED VLS 2011 12/24V DC

- LED flexible strip light **Warm White**
- 60 LEDs per Meter
- SMD 3528 4.8w per meter
- Multi color function
- 3M Peel and stick backing
- Viewing angle 120 degrees
- IP Rating: IP67
- Must be used with a suitable LED Driver(VL9651 - VL9655)



VeraLED VLS 2021 12/24V DC

- LED flexible strip light **Cool White**
- 60 LEDs per Meter
- SMD 3528 4.8w per meter
- Multi color function
- 3M Peel and stick backing
- Viewing angle 120 degrees
- IP Rating: IP67
- Must be used with a suitable LED Driver(VL9651 - VL9655)



VeraLED VLS 2031 12/24V DC

- LED flexible strip light **Red, Yellow, Green, Blue.**
- 60 LEDs per Meter
- SMD 3528 4.8w per meter
- Multi color function
- 3M Peel and stick backing
- Viewing angle 120 degrees
- IP Rating: IP67
- Must be used with a suitable LED Driver(VL9651 - VL9655)